

AQQA®

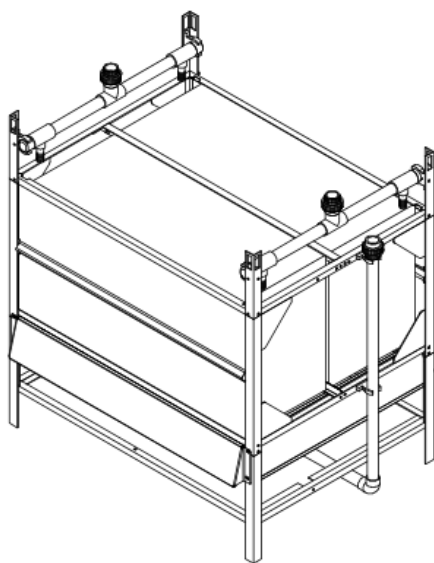
technical data sheet AQQA®80 Article-No. 80100021 and
AQQA® aeration unit Article-No. 80100002

Complete pre-assembled unit for the filtration of water with submerged membrane plates. The unit comprises:

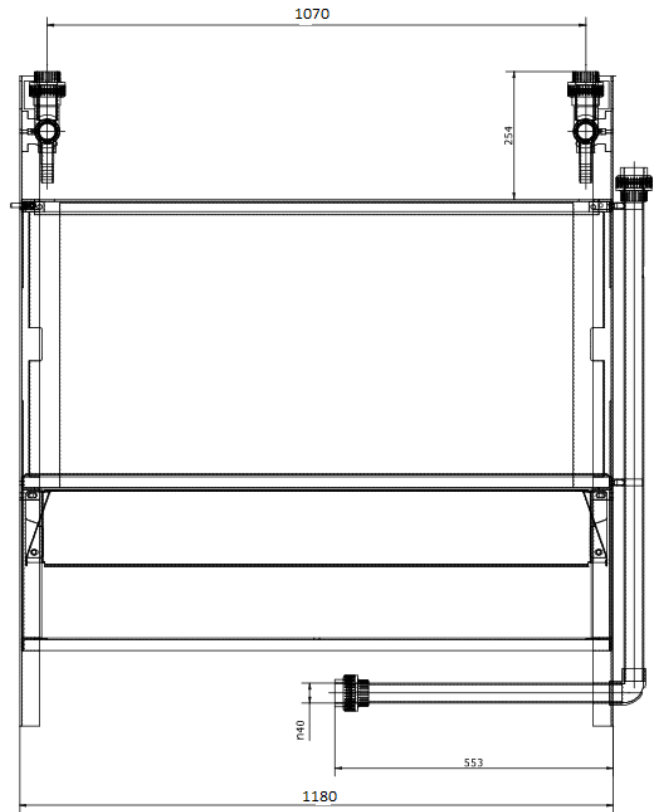
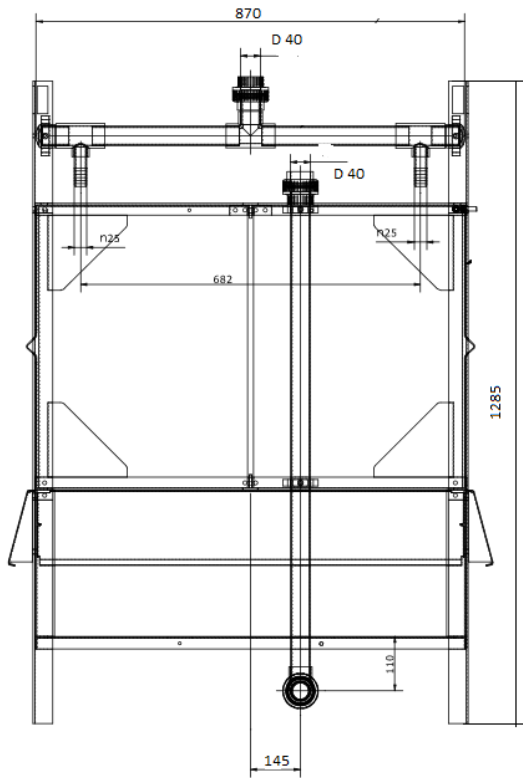
- AQQA® membrane plates
- 1 pc. AQQA®80 frame
- 1 pc. AQQA® aeration unit with plate diffusers for medium size air bubbles

parameter	unit	value
dimension of filter housing (incl. flange for aeration)	l x w x h mm	1240 x 973 x 1291
minimum water level in MBR tank	mm	1150
air connection	d mm	40
filtrate connection 2 piece	d mm	40
number of AQQA® membrane plates		172
total membrane surface area	m ²	80
typical design flow in MBR ¹	m ³ /h	2,4
max. flow in MBR ¹	m ³ /h	4
max. air flow	Nm ³ /h	90
design air flow	Nm ³ /h	60
filtration pressure	mbar	-30 ...-500
backflush pressure	mbar	350
pore size nominal	µm	0,04
frame material		1.4301
frame material (optional)		1.4571
membrane material		PES
max. operating temperature	°C	50
max. pH-range		1-12
weight dry	kg	170
weight wet	kg	340

¹ depending on wastewater characteristics



AQQA®



Revised: 07.11.2022
Design and specifications are subject to
change without notice.

Weise Water GmbH
Eduard-Maurer-Str. 13
16761 Hennigsdorf
Germany

Tel +49 (0) 3302 2031455
Fax +49 (0) 3302 2090096
Email info@weise-water.de
Web www.weise-water.de