

AQQA®

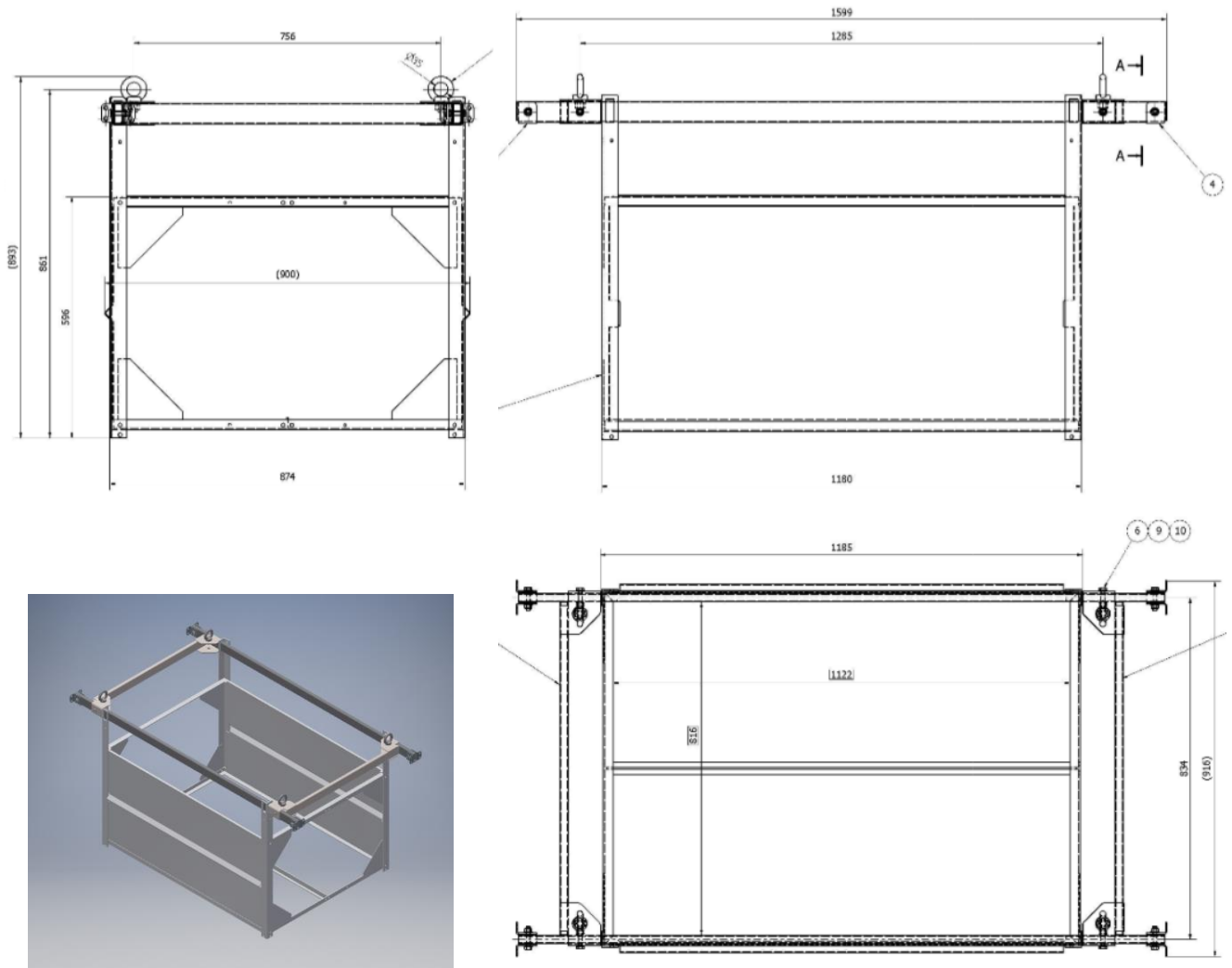
technical data sheet AQQA® lifting frame Article-No. 80100614

for AQQA®: 70-8, 80, 140-8, 160, 210-8, 240, 320

Complete pre-assembled unit. The unit comprises:

- complete frame
- incl. ring screws for hoisting sling
- recommended accessories: brackets (4 pc.), art.-No. 80100615

parameter	unit	value
dimension	l x w x h mm	1600 x 900 x 50
lifting ring screw		M16
weight	kg	20



the drawing shows the lifting frame attached to the top frame of an AQQA frame (not part of the delivery)

Revised: 07.11.2022
Design and specifications are subject to change without notice.

Weise Water GmbH
Eduard-Maurer-Str. 13
16761 Hennigsdorf
Germany

Tel +49 (0) 3302 2031455
Fax +49 (0) 3302 2090096
Email info@weise-water.de
Web www.weise-water.de